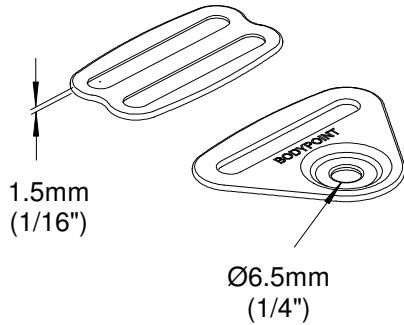


**Bodypoint
Hardware**

**Part
Numbers**

Mounting Options

**Flat-Mount™
End-Fitting**

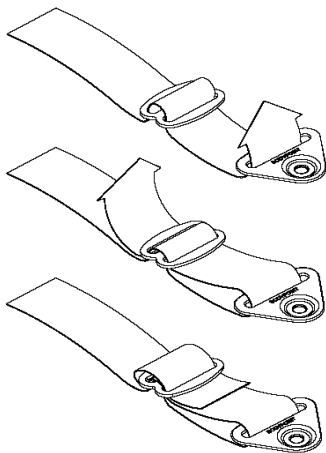


- HKA1-R** 25mm (1")
- HKA1-G** 38mm (1-1/2")
- HKA1-B** 50mm (2")

Direct Mounting - Tube



Direct Mounting - Solid Surface



FrameSaver™ Clamp



Slotted Rail with HKA6



Material:

Heat-treated steel,
chrome or nickel plated

Mounting screws not included.
Screws must have minimum pullout
strength of 90kg (200lbs).

Typical Breaking Strength:

> 283kg (625lbs)

**Bodypoint
Hardware**

**Part
Numbers**

Mounting Options

**Cinch-Mount™
End-Fitting**

Direct Mounting - Tube



- HKA2-R** 25mm (1")
- HKA2-G** 38mm (1-1/2")
- HKA2-B** 50mm (2")

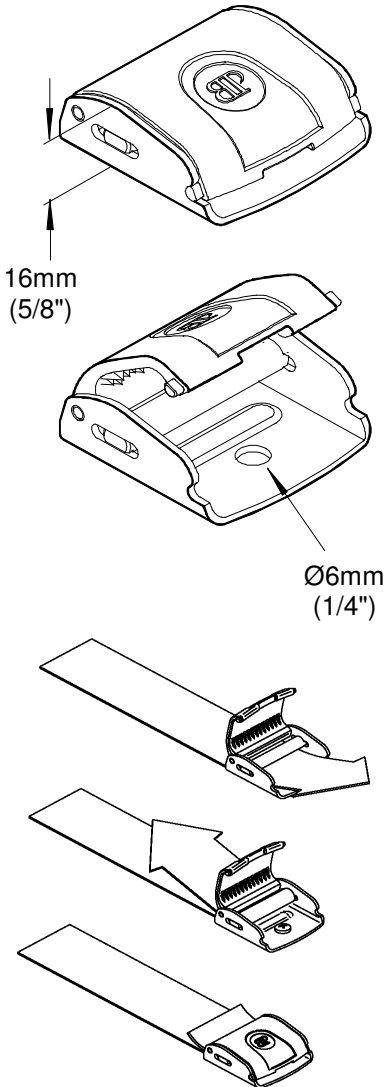
Direct Mounting - Solid Surface



FrameSaver™ Clamp



Slotted Rail with HKA6



Material:

Chrome plated steel,
nickel plated pins,
plastic

Mounting screws not included.
Screws must have minimum pullout
strength of 90kg (200lbs).

Typical Breaking Strength:

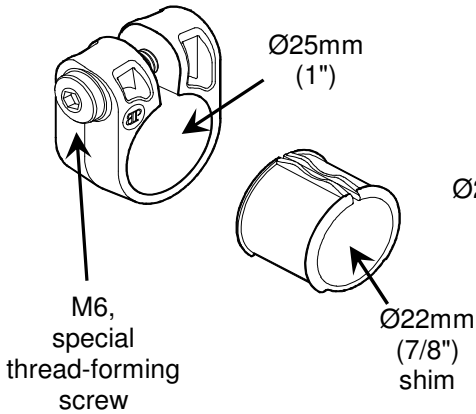
453kg (1000lbs)

**Bodypoint
Hardware**

**Part
Numbers**

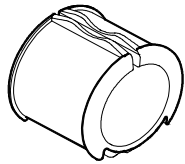
Mounting Options

FrameSaver™ Clamp



HW303-B
Ø22mm (7/8") & 25mm (1")

25mm (1") Tube



Optional Ø19mm (3/4") shim

HW303-19SHIM

With Cinch-Mount™ End-Fitting



For manual chairs with
Ø19, 22, 25mm (3/4", 7/8" or 1")
round tubing

Material:

Nylon,
zinc-plated screw

Tools:

4mm (5/32") hex key
(2012 current version)

#2 Phillips screwdriver
(2003-2011 version)

With Flat-Mount™ End-Fitting



Typical Breaking Strength:

567kg (1,250lbs)

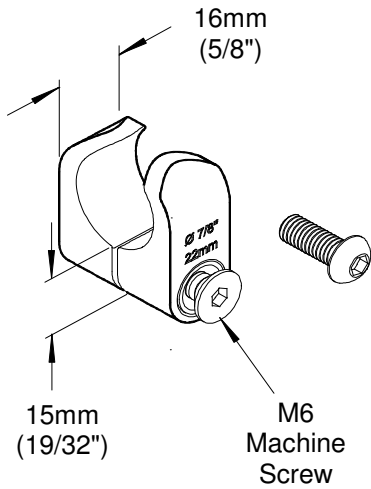
**Bodypoint
Hardware**

**Part
Numbers**

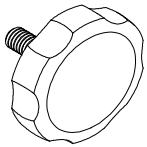
Mounting Options

Frame Clamp

Under upholstery strip with Cinch-Mount™ End-Fitting

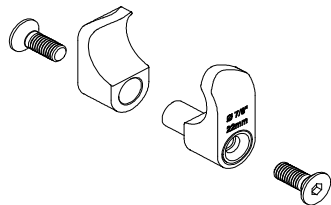
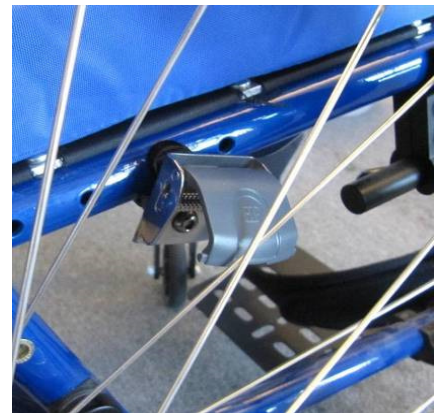


HW310-22-A 22mm (7/8")
HW310-25-A 25mm (1")



Optional Knob

FA812-BP



For manual chairs with
Ø22 or 25mm (7/8" or 1")
round tubing

Material:

Anodized aluminum,
stainless steel screws

Tools:

4mm (5/32") hex key

Typical Breaking Strength:

362kg (800lbs)

Shower Chair Applications

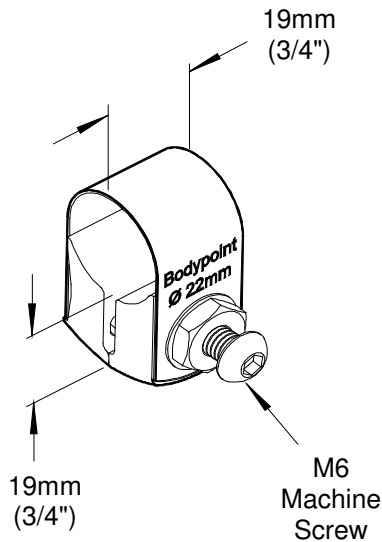


**Bodypoint
Hardware**

**Part
Numbers**

Mounting Options

Band Clamp

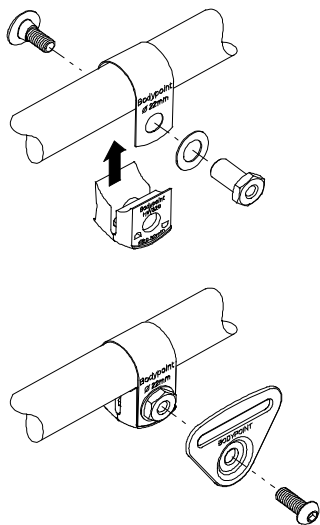


- HW320-22** 22mm (7/8")
- HW320-25** 25mm (1")
- HW320-29** 29mm (1-5/32")
- HW320-30** 30mm (1-3/16")
- HW320-32** 32mm (1-1/4")
- HW320-27X33**
27mm X 33mm OVAL
(5/64" X 5/16")

Under upholstery strips



**With Evoflex® Hip Belt
(using Evoflex® mounting hardware)**



For manual chairs with
Ø22, 25, 32mm (7/8", 1", 1-1/4")
round tubing

Material:

High-strength stainless steel,
plastic

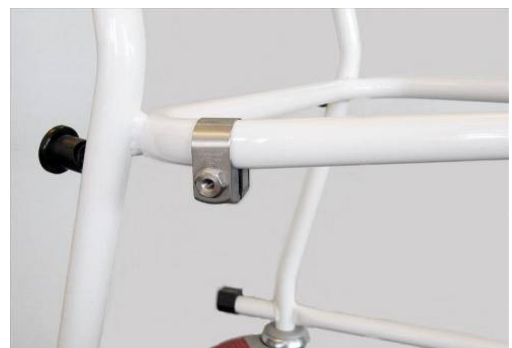
Tools:

13mm wrench
& 4mm (5/32") hex key

Typical Breaking Strength:

1270kg (2800lbs)

Shower Chair Applications



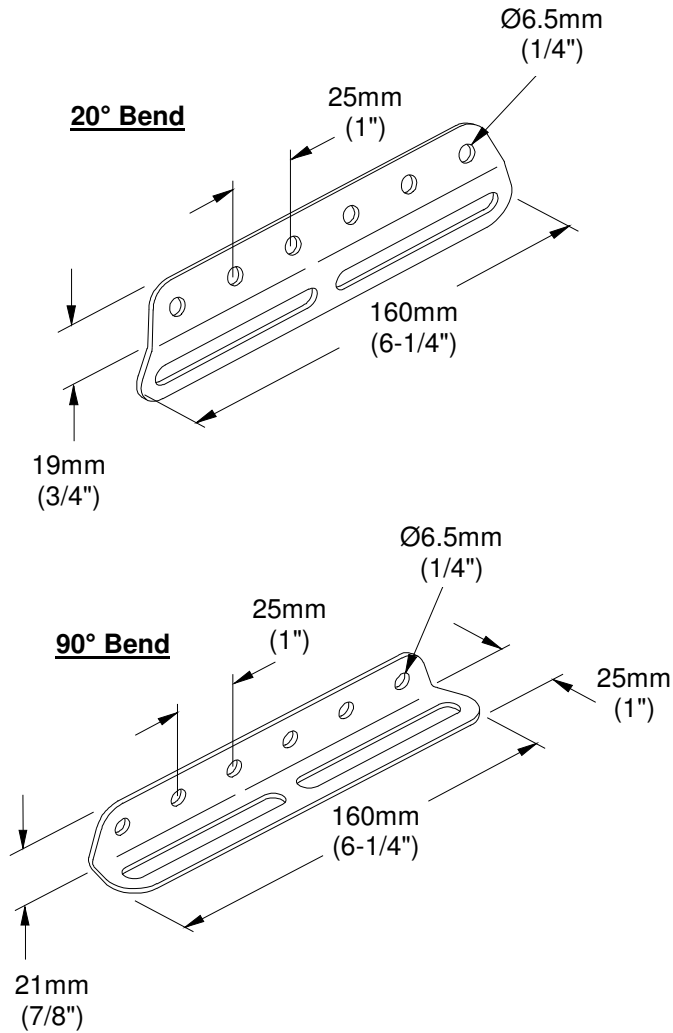
**Bodypoint
Hardware**

**Part
Numbers**

Mounting Options

Mounting Bracket Kit

**HW200-20
&
HW200-90**



Material:

Heat-treated steel,
powder coated

10-32 (M5) x 3/4" screws

Tools:

No.2 Phillips screwdriver

Typical Breaking Strength:

TBD

20° Bracket side mounted



90° Bracket mounted on upholstery strips



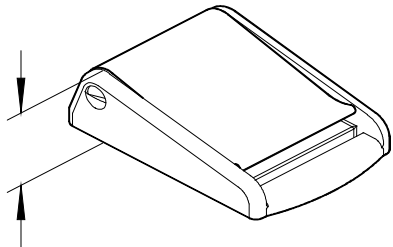
**Bodypoint
Hardware**

**Part
Numbers**

Mounting Options

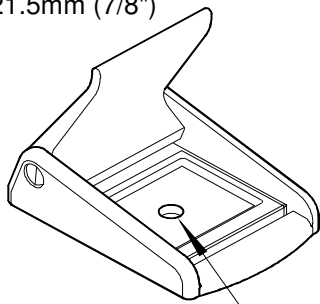
Cam Buckle

Direct Mounting - Solid Surface

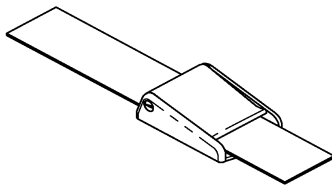
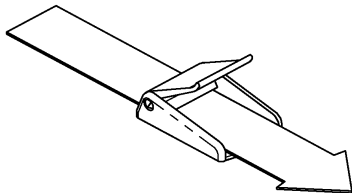


FS032-2 25mm (1")
FS033-2 38mm (1-1/2")
FS034-2 50mm (2")

FS032 = 14mm (9/16")
 FS033 = 21.5mm (7/8")
 FS034 = 21.5mm (7/8")



Ø6mm
(1/4")



Material:
Plastic

Mounting screws not included.
Screws must have minimum pullout strength of 90kg (200lbs).

Typical Breaking Strength:

25mm (1") = 27kgf (60lbf)
 38mm (1-1/2") = 163kgf (360 lbf)
 50mm (2") = 90kgf (200lbf)



**Bodypoint
Hardware**

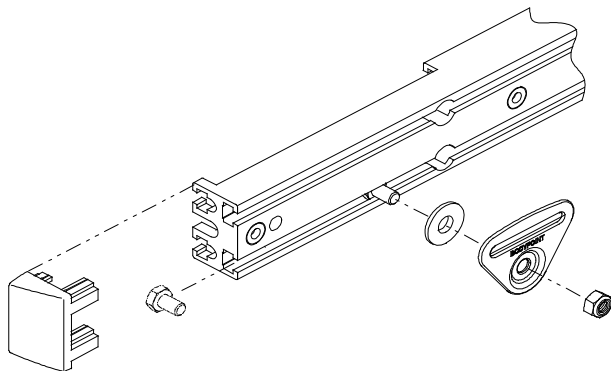
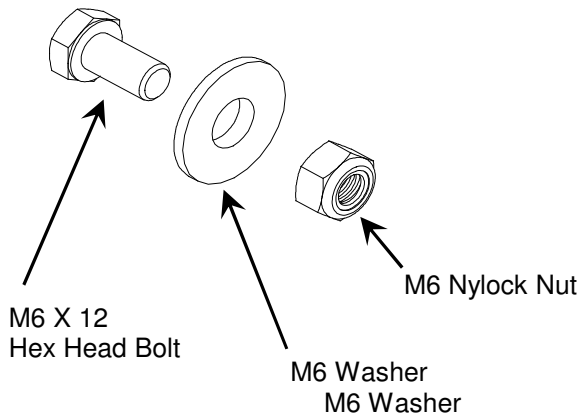
**Part
Numbers**

Mounting Options

6mm Fastener Mounting Kit

For Permobil Unitrack

HKA6



Material:
Steel, zinc-plated

Typical Breaking Strength:
770kgf (1,696lbf)

Cinch-Mount™ End-Fitting



Flat-Mount™ End Fitting



Evoflex® Hip Belt
(used with Evoflex® low-profile flange nut)



**Bodypoint
Hardware**

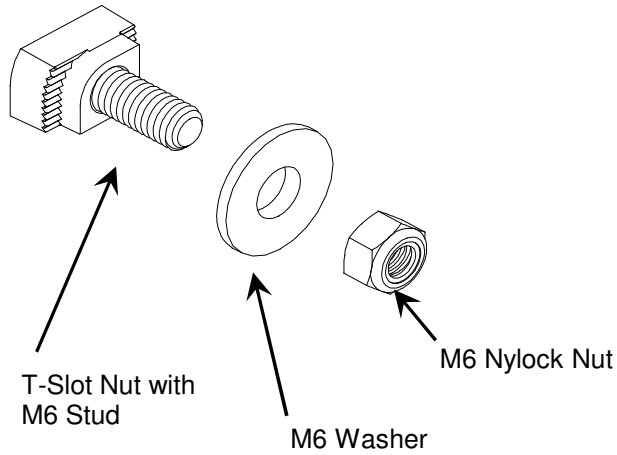
**Part
Numbers**

Mounting Options

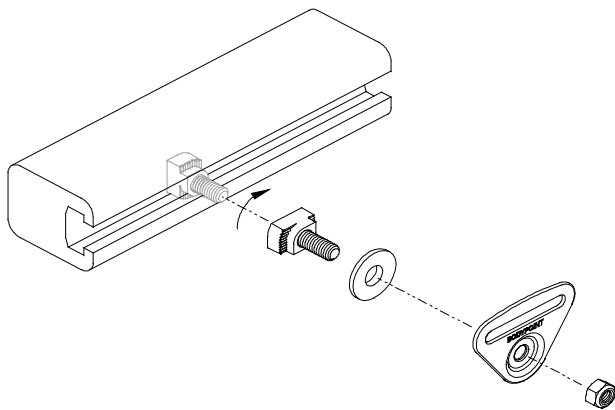
10mm Fastener Mounting Kit

For Invacare and Pride

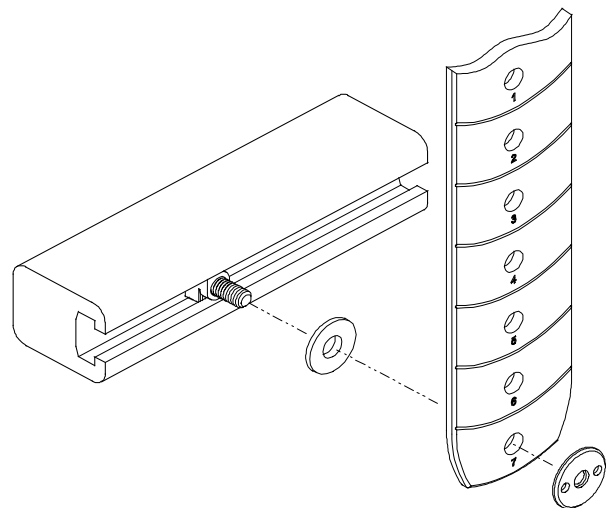
HKA10



Cinch-Mount™ End-Fitting



Evoflex® Hip Belt
(used with Evoflex® low-profile flange nut)



Material:
Steel, zinc-plated

Typical Breaking Strength:
770kgf (1,696lbf)